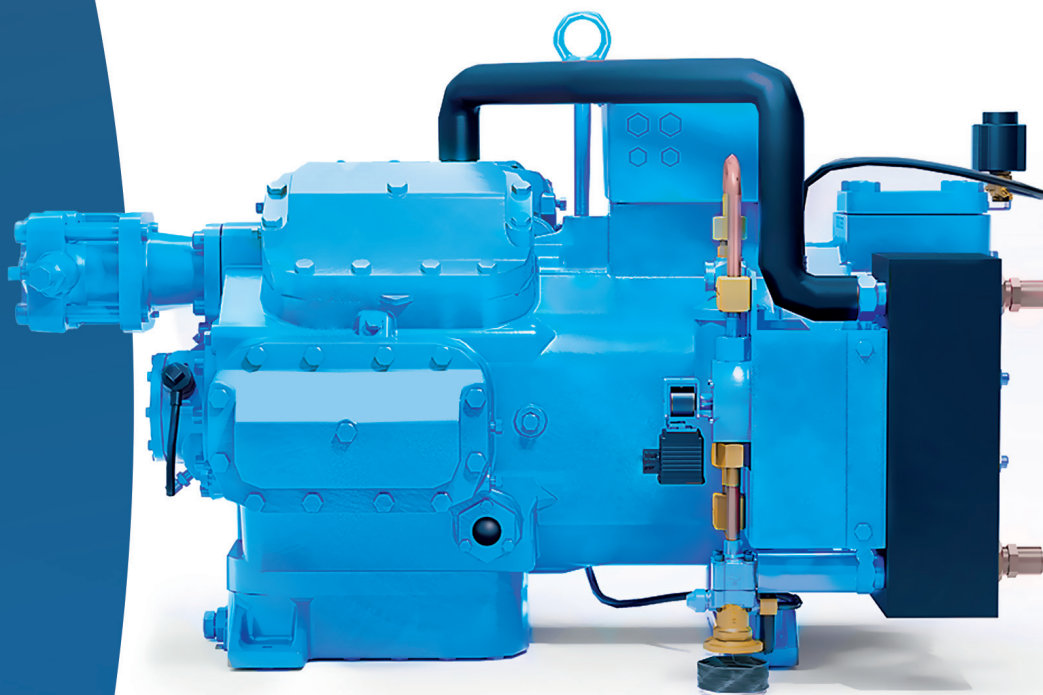


50 Hz & 60 Hz ●

TWO-STAGE SERIES

SEMI-HERMETIC
RECIPROCATING COMPRESSORS



富士豪[®]
FRASCOLD SPA

TWO-STAGE SERIES

**SEMI-HERMETIC RECIPROCATING
COMPRESSORS**



INDEX

Product information

Features & Benefits

Conformity Declaration

Performance Data FSS3 Software

ASERCOM Certification

Capacity

Product Range

Model Designation

Information Plate

Standard Equipment and Optional Accessories

Motor Cooling System

Control Protection Device

Technical Data

Operating Limits

Technical Drawings and Dimensions

Contact & Subsidiaries



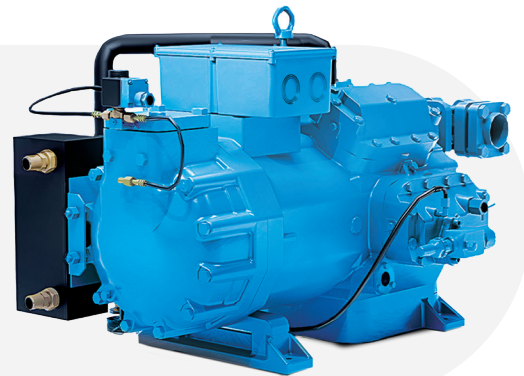
● Product information

TWO-STAGE RECIPROCATING COMPRESSORS

Frascold **Two-Stage Compressors** is defined by excellent reliability and compact design due to the elimination of external ducts.

The product range of our double-stage compressors consists of **3 sizes** including **11 models** from 0.5 to 80 Hp, and features a unique motor cooling system.

All models in the double-stage series can be accessorized with the liquid sub-cooler.



● Product information

4 FEATURES & BENEFITS



EXCELLENT RELIABILITY



COMPACT DESIGN



SUB-COOLING KIT



SILENT OPERATION



UNIQUE ENGINE COOLING SYSTEM



OPTIMIZED LIQUID INJECTION



INCREASED EFFICIENCY

CONFORMITY DECLARATION

Frascold Two-stage Reciprocating compressors are intended for installation in refrigeration systems.

The machine or partly completed machines shall comply with local safety regulation and standards of the place of installation **(within the EU according to the EU Directives 2006/42/EC Machinery Directive, 2014/68/EU Pressure Equipment Directive, 2006/95/EC Low Voltage Directive).**

The compressor may be put into operation only if it has been installed in accordance with the assembly instructions provided in the installation manual.

Commissioning is only possible if the entire system into which it is integrated has been inspected and approved in accordance to the provisions of legal regulations.

The standards applied are described in the Manufacturer Declaration of incorporation, according to the 2006/42/EC, and available at: **www.frascold.it**

PERFORMANCE DATA - FSS3 SOFTWARE

Please refer to our FSS3 Frascold Selection Software to check the performance of all our compressors.



OPERATING LIMITS



TECHNICAL INFORMATION



COOLING CAPACITY



DRAWINGS



ALL OPERATING DATA WITH ANY KIND OF REFRIGERANT



MANUALS



EUROPEAN STANDARD EN12900 AT 50Hz



CATALOGUES AND CERTIFICATIONS

ASERCOM CERTIFICATION

What is ASERCOM

ASERCOM (Association of European Refrigeration Component Manufacturers) promotes standards for safety and performance ratings in the refrigeration industry. ASERCOM certification means that a compressor's performance has been determined to meet the specifications stated by its manufacturer.

How It Works

Manufacturer's performance data for a particular compressor model and refrigerant are submitted to ASERCOM for certification. To ensure objectivity, members of the certification committee are selected from competing manufacturers. If the committee agrees with the submitted performance data that model is added to the certified list.

Performance Testing

Models from the certified list are regularly tested to verify performance. To ensure fairness, the compressor to be tested is obtained from a distributor's stock and tested at a competitor's facility. If test results are not up to the listed specifications that model is removed from the certified list.

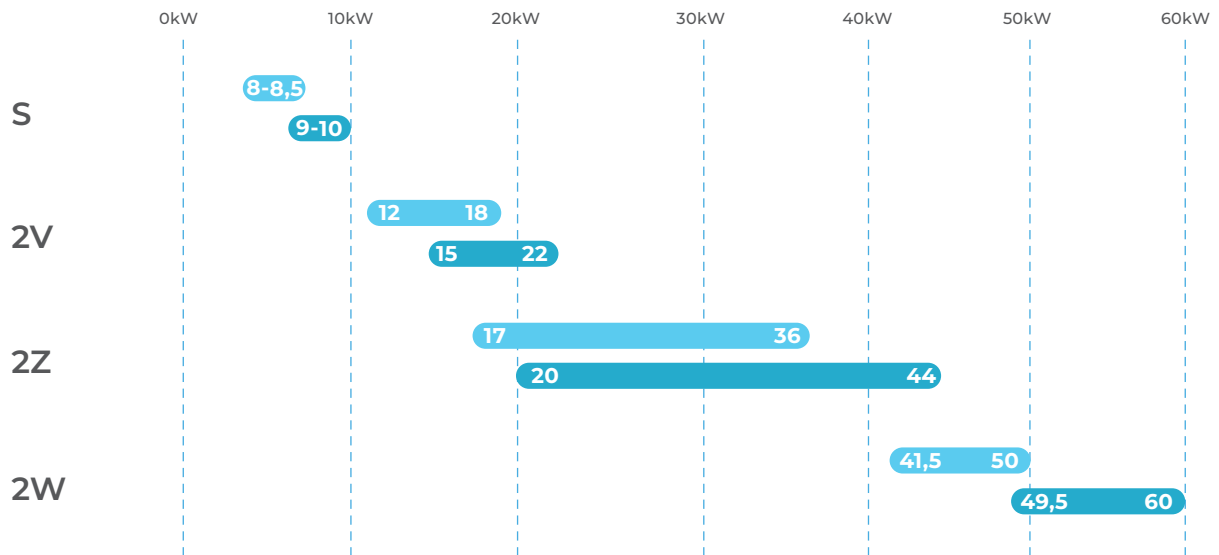


Frascold stands behind the quality, performance and reliability of all our products.

We currently have 108 ASERCOM certified models and more on the way.
All of our compressors are run tested at the factory and carry a standard 2 year warranty.

CAPACITY

LEGAL DISCLAIMER: While Frascold has made every effort at the time of publication to ensure the accuracy of the information provided herein, product specifications and performances could be subject to change without notice. You can find the most updated information in our Frascold Selection Software FSS3 at the link: <https://www.frascold.it/en/software>



LOW TEMPERATURE
@ Evap. T. -35°C | Cond T. +40°C
Suction T. +20°C
w/Economizer

VOLUMETRIC DISPLACEMENT:
Range ● @50Hz ● @60Hz

To visualize performance with other refrigerants, contact us or refer to the Frascold Selection Software FSS3: <https://www.frascold.it/software>

PRODUCT RANGE

TWO-STAGE RECIPROCATING

SIZE S

2-2 cylinders - 2 models

5 - 7 HP

1st stage: 25,2 - 26,9 m³/h @50Hz | 30,2 - 32,3 m³/h @60Hz
2nd stage: 16,4 - 19,1 @50Hz | 19,7 - 22,9 m³/h @60Hz

SIZE 2V

2-2 cylinders - 3 models

10 - 20 HP

1st stage: 41,9 - 61,6 m³/h @50Hz | 50,3 - 73,9 m³/h @60Hz
2nd stage: 29,4 - 35,2 @50Hz | 35,3 - 42,2 m³/h @60Hz

SIZE 2Z

4-2 cylinders - 6 models

15 - 40 HP

1st stage: 58,8 - 123,1 m³/h @50Hz | 70,6 - 147,8 m³/h @60Hz
2nd stage: 29,4 - 61,6 @50Hz | 35,3 - 73,9 m³/h @60Hz

SIZE 2W

6-2 cylinders - 4 models

40 - 65 HP

1st stage: 139,2 - 179,5 m³/h @50Hz | 167 - 215 m³/h @60Hz
2nd stage: 58,8 - 58,8 @50Hz | 71,7 - 71,7 m³/h @60Hz

MODEL DESIGNATION

2Z | 30 | - | 102 | . | 51 | Y

Sizes of models
S - 2V - 2Z - 2W

Motor size
From 5 to 65 HP

Type of oil
Y | POE (Others on request)

Displacement 2nd stage
From 16 to 60 m³/h at 50Hz

Displacement 1st stage
From 25 to 179 m³/h at 50Hz

INFORMATION PLATE

All the important information to identify the compressor is displayed on the nameplate. The date of production is contained in the serial number. The user is responsible for indicating the refrigerant type.

Compressor model

Type **2Z30-102.51Y**

FRASCOLD SPA Nr. **3U001001** Serial number

Hz	Displ. m ³ /h	RPM	Max. Operating Disch. Pressure	bar
50	51/103	1450	30	30
60	62/124	1740	20,5	20,5

Frequency / Displacement / Speed

Max. Operating Disch. Pressure: 30 bar

Max. Static Suct. Pressure: 20,5 bar

Oil type: POE32 3~

Volt		Hz	MRA		LRA	
PWS	YY		PWS	YY	PWS	YY
380-420	380-420	50	53	53	132,6	224,4
440-480	440-480	60	53	53	132,6	224,4


Voltage and frequencies

Oil type: POE32

3~

Locked rotor current

Maximum operating current



FRASCOLD S.p.A. **2Z30** **3U001001** MADE IN ITALY

Identification barcode Identification code Place of manufacturing

STANDARD EQUIPMENT AND OPTIONAL ACCESSORIES



Description	S	2V	2Z	2W
Electrical connections box	■	■	■	■
Discharge temperature probe	■	■	■	■
High and low pressure safety valves	■	■	■	■
Suction and discharge valves	■	■	■	■
Oil charge POE 32 cSt	■	■	■	■
Protective nitrogen charge	■	■	■	■
Oil level sight glass indicator	■	■	■	■
Crankcase heater	■	■	■	■
Rubber vibration dampers	■	■	■	■
Electronic oil level switch		■	■	■
Sub-cooler	■	■	■	■
Injection Control Card		■	■	■
INT69 Diagnose control and protection device	■	1	1	1
INT69 TML Diagnose control and protection device (only with Direct Control)		2	2	2
Electronic differential pressure switch to control lubrication Delta P-II (only with Standard Control and Diagnostic Control)		■	■	■
Electronic differential pressure switch to control lubrication INT250FR (only with Direct Control)		2	2	2
Modbus application	■	■	■	■

- Standard
- Optional
- 1
- 2

MOTOR COOLING SYSTEM

The motor cooling system allows:



Constant and accurate control of the motor temperature

The system accurately and constantly checks the temperature via the AMS sensors located inside the windings. Indeed, the position of the sensors has been specifically designed to identify the most critical areas in terms of overheating, thereby allowing to protect the motor also during the critical start-up stage.



Efficient motor cooling

The system identifies when the pre-alarm temperature threshold is reached and activates the injection of liquid in the motor according to optimized amounts and time.



Compressor reliability

The controlled cooling of the motor prevents excessive cooling on neighboring areas, eliminating the risk of frost and resulting oxidation, thereby preventing the formation of condensation in the electrical box of the compressor and the risk of a short circuit.



Prevention of motor overheating

The system identifies when the critical temperature threshold has been reached and stops the compressor in the event of anomalous overheating.

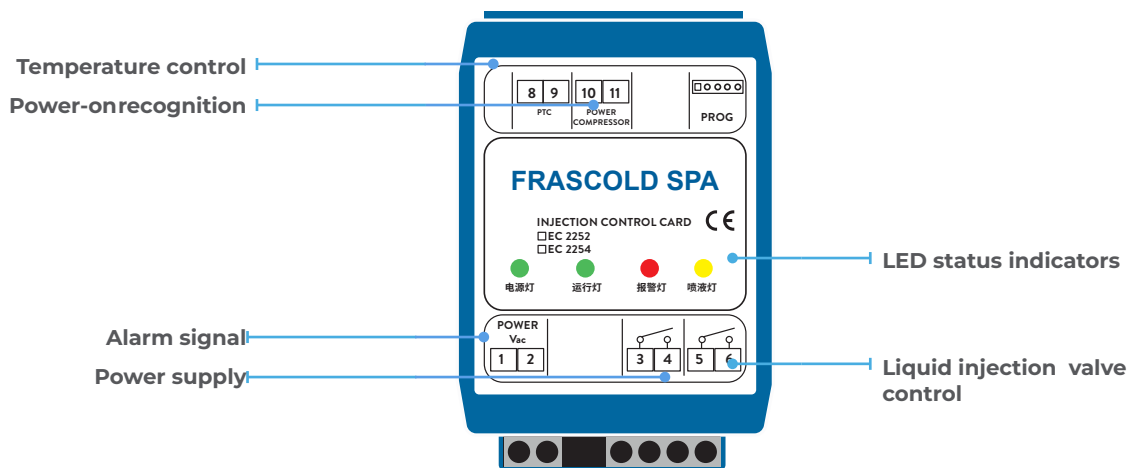


Liquid injection monitoring

Thanks to the TA (Current transducer used as power ON Sensor) device installed as standard, as well as injecting the liquid as required, the system can prevent this function when the compressor stops due to a malfunction of the compressor itself or due to external system management logics.

The ICC module is supplied as standard and is already fully wired inside the electrical box.

INJECTION CONTROL CARD



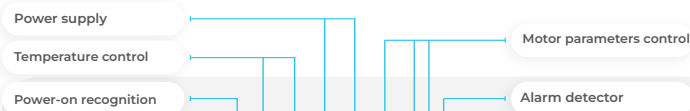
CONTROL PROTECTION DEVICE

Kriwan Diagnose devices are a further development of compressors' protection units. The Diagnose technology is not only limited to protecting the compressor, but also offers diagnosis and system optimization features; providing detailed information to technicians in order to promptly diagnose any plant problems; it even makes it possible to prevent malfunctioning before it occurs thanks to data analysis.

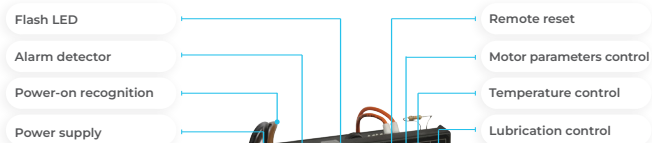
The additional protection features help to extend the compressor's service life. Through this technology applied to compressors, users will benefit from enhanced reliability of the cooling system and from the reduction in running and maintenance costs. Frascold was the first compressor manufacturer to adopt this innovative technology and today it is standard on all our compressors.

Advantages:

- Guaranteed optimal operation throughout the compressor's entire life cycle.
- Convenient and with straightforward operation.
- Instantaneous diagnosis and precise problem-solving in case of error or fault.
- Specifically adapted to the user's needs.
- Intelligent monitoring of compressor operation.
- It extends the operative life of cooling systems.
- Improves compressor protection.
- Reduces running and maintenance costs.
- Automatic storage of operative data and errors in memory.
- Technical card with the retrieval of stored data.
- Display of compressor status through flash LED code.
- Data download through the USB connection.
- Remote communication through Modbus-Gateway and LAN-Gateway protocol.
- Also applicable to previously installed compressors.



INT69® DIAGNOSE



INT69 TML® DIAGNOSE

Control	Protection device			Differential pressure switch		Operating Limits
	Frascold ICC Module	Kriwan INT69 Diagnose	Kriwan INT69 TML Diagnose	Delta/P-II	INT250FR	

Standard control

•

•

The Differential Oil Pressure Switch (provided as standard) communicates directly with the Central Control Panel (PCC) of the system. The ICC module sends alarm signals directly to the PCC

Diagnostic control (optional)

•

•

•

The Differential Oil Pressure Switch (provided as standard) communicates directly with the Central Control Panel (PCC) of the system. The ICC module sends alarm signals to the INT69 module. Diagnose (supplied as standard and to be installed on the electrical panel of the PCC) to allow for diagnostics on the compressor (alarm log, start-up sequences, etc.).

Direct control (optional)

•

•

•

The Differential Oil Pressure Switch (provided as standard) communicates with the INT69TML Diagnose module (provided as standard and to be installed in the electrical panel of the PCC). The INT69ML Diagnose module performs full diagnostics of the compressor (alarms log, start-up sequences, etc.), by acquiring the alarm signals both from the ICC and the INT250 FR pressure switch.

TWO STAGE Motor Power supply 380-420V (Y) / 3ph / 50Hz | 440-480V (Y) / 3ph / 60Hz | PWS Connection

Models	Cylinders		Displacement				Oil charge ¹	Electrical Data ²				Line Connection ³				Weight ⁴
	LP	HP	LP		HP			Max. Operating Current	Locked Rotor Current		Suction		Discharge			
			50Hz	60Hz	50Hz	60Hz			PWS	DOL	inch	mm	inch	mm		
			m ³ /h	m ³ /h	m ³ /h	m ³ /h									l	
S5-26.16Y	2	2	25,2	30,24	16,39	19,67	2,9	14	35,5	57,8	1 3/8"	35	7/8"	22	120	
S7-27.19Y	2	2	26,85	32,22	19,12	22,94	2,9	18	47	75	1 3/8"	35	7/8"	22	122	
2V10-42.29Y	2	2	41,89	50,27	29,4	35,28	4	23	53,9	87,6	1 3/8"	35	1 1/8"	29	173	
2V15-56.32Y	2	2	56,05	67,26	32,04	38,45	4	31	74,8	117,1	1 3/8"	35	1 1/8"	29	183	
2V20-62.35Y	2	2	61,57	73,88	35,2	42,24	4	35	106,6	180,5	1 3/8"	35	1 1/8"	29	183	
2Z15-60.30Y	4	2	58,81	70,57	29,4	35,28	7,2	31	74,8	117	1 5/8"	42	1 3/8"	35	220	
2Z20-72.36Y	4	2	70,74	84,89	35,37	42,44	7,2	37	107	181	1 5/8"	42	1 3/8"	35	225	
2Z25-84.42Y	4	2	83,77	100,52	41,89	50,27	7,2	45	118	203	1 5/8"	42	1 3/8"	35	230	
2Z30-102.51Y	4	2	102,86	123,43	51,43	61,72	7,2	53	133	224	1 5/8"	42	1 3/8"	35	239	
2Z35-112.56Y	4	2	112,11	134,53	56,05	67,26	7,2	60,2	145	239	1 5/8"	42	1 3/8"	35	245	
2Z40-123.62Y	4	2	123,13	147,76	61,57	73,88	7,2	71,9	159	273	1 5/8"	42	1 3/8"	35	250	
2W40-139.60Y	6	2	139,19	167,03	59,78	71,74	7,7	89,3	215	298	/	67	/	42	325	
2W50-155.60Y	6	2	154,65	185,58	59,78	71,74	7,7	94,8	258	367	/	67	/	42	330	
2W50-171.60Y	6	2	170,91	205,09	59,78	71,74	7,7	94,8	258	367	/	67	/	42	330	
2W65-180.60Y	6	2	179,35	215,22	59,78	71,74	7,7	103,5	326	455	/	67	/	42	335	

1. Oil charge POE 32 cSt. We always recommend using the heating element.
2. The indicated data refers to standard motors. For other supply voltages, please refer to FSS3 Frascold selection software. The size of the contactors cables and fuses must take into account the maximum operating temperature and the maximum operating current. Use AC3 category contactors.
3. Connections of weld-on valves.
4. Net weight including: valves, oil charge, rubber dumpers.

LEGAL DISCLAIMER:

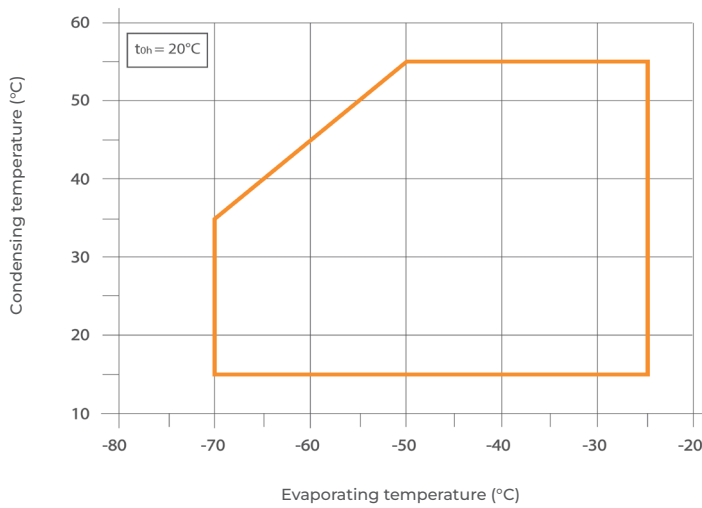
While Frascold has made every effort at the time of publication to ensure the accuracy of the information provided herein, product specifications and performances could be subject to change without notice. You can find the most updated information in our Frascold Selection Software FSS3 at the link: <https://www.frascold.it/en/software>

OPERATING LIMITS



For specific model and refrigerant performance data, please use the FSS3 Frascold Selection Software available for free download at <https://www.frascold.it/software>

R404A - R507A - R448A - R449A

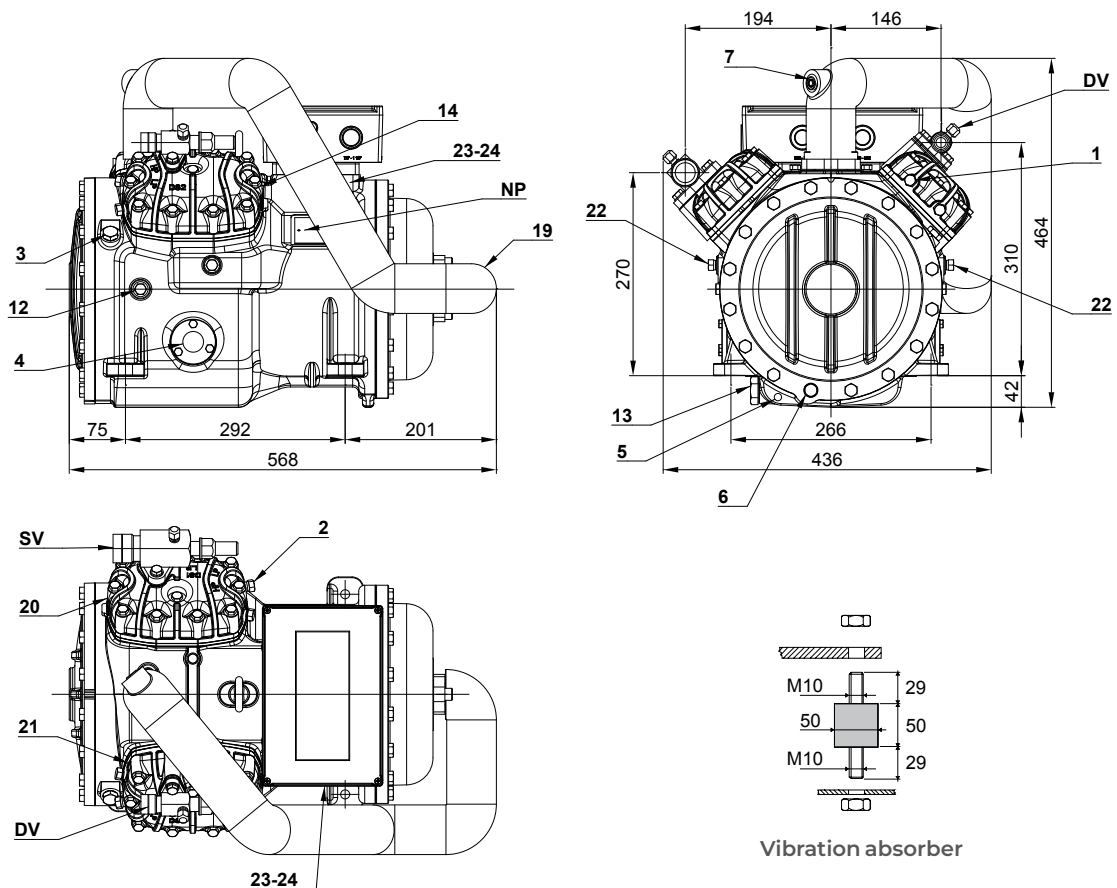


Standard application diagram

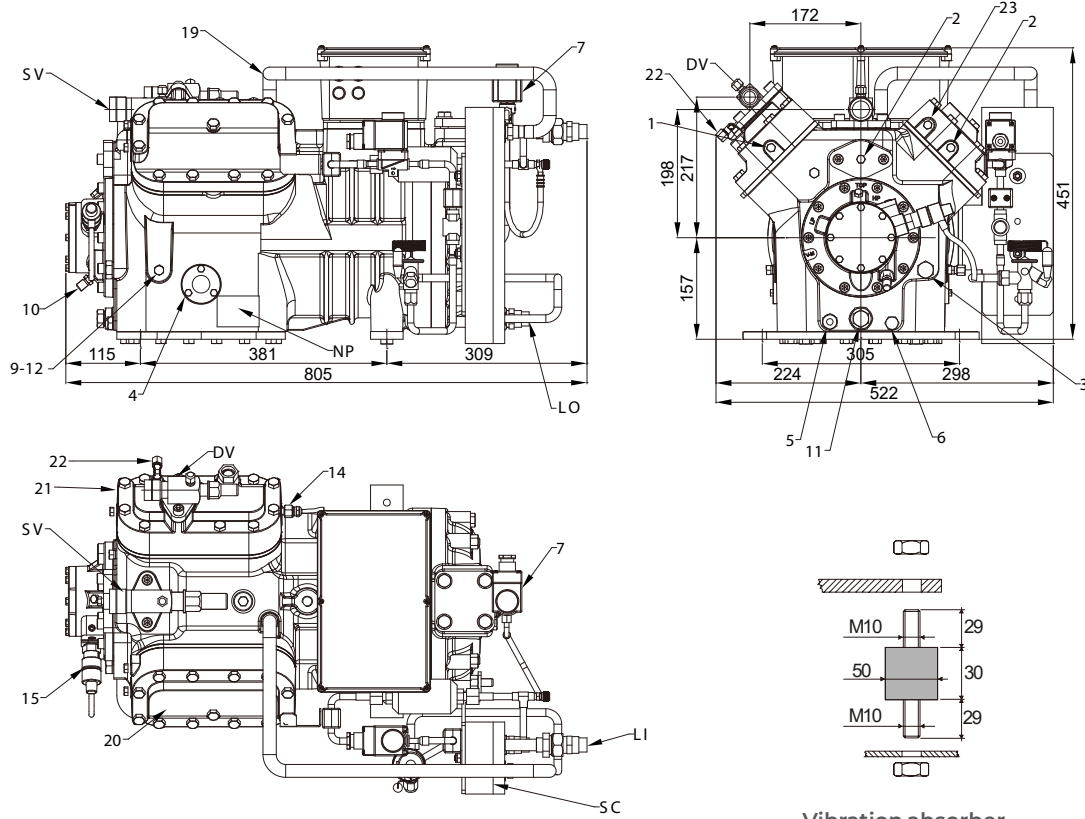
Check the envelope of each compressor model in the Frascold Selection Software program

TECHNICAL DRAWINGS AND DIMENSIONS

S Size

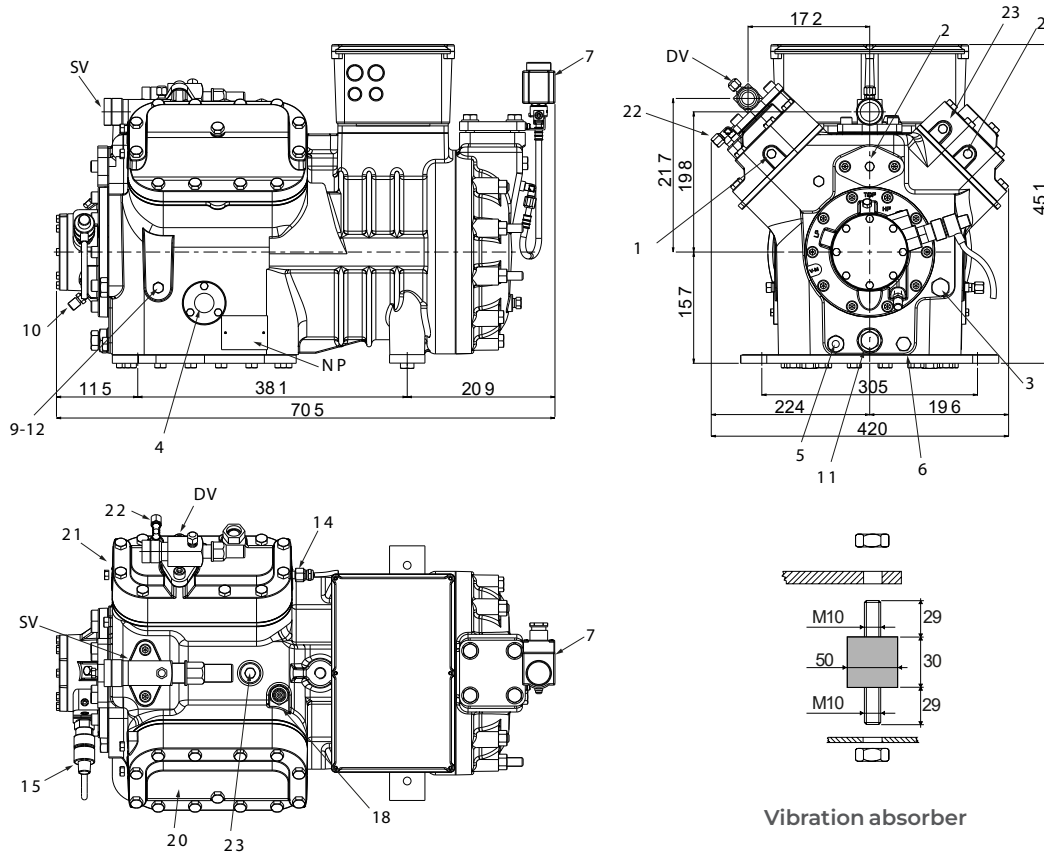


1	High pressure plug	1/8" NPT
2	Low pressure plug	1/8" NPT
3	Oil charge plug	1/4" GAS
4	Oil level sight glass	
5	Crankcase heater seat	
6	Oil drain plug	
7	Connection for liquid injection thermostatic valve	
12	Oil return plug	1/4" NPT
13	Magnetic plug	
14	Discharge gas temperature sensor connection	
19	1st - 2nd stage collector	
20	1st stage head	
21	2nd stage head	
22	Thermostatic valve equalization line plug	1/4" NPT
23	Mean pressure connection	1/4" NPT
24	External equalizer liquid injection connection	1/4" NPT
SV	Suction valve	1-3/8" - 35 mm
DV	Discharge valve	1-7/8" - 22 mm
NP	nameplate	



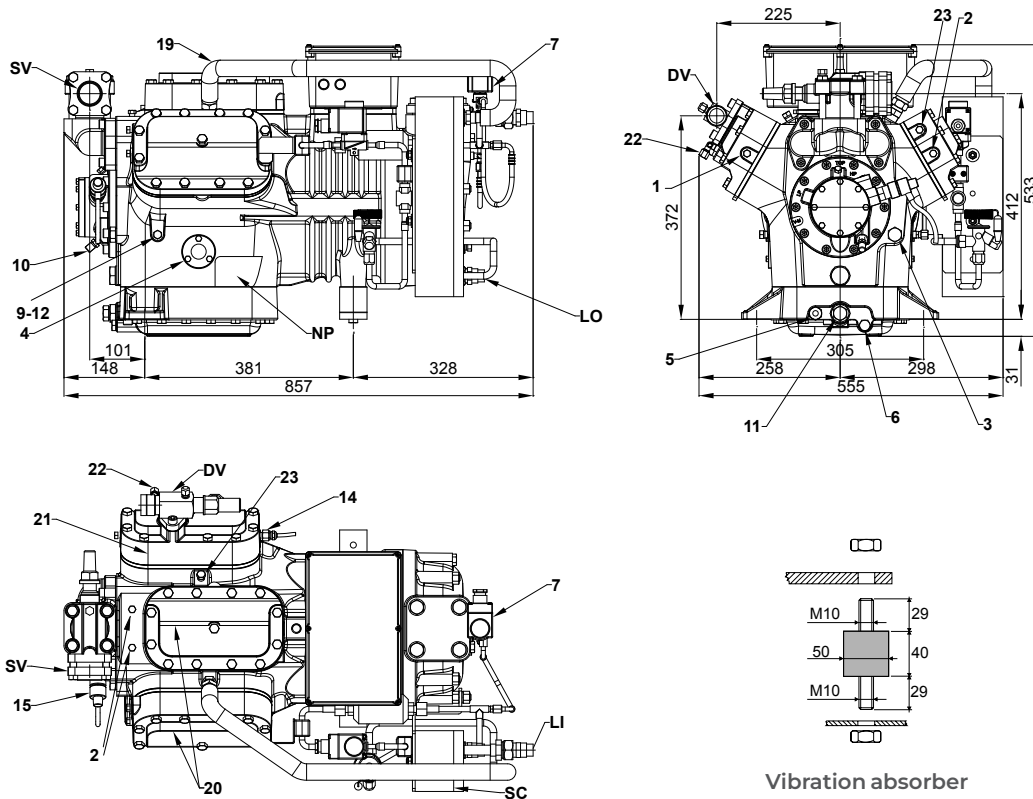
Vibration absorber

1	High pressure plug	1/8" NPT
2	Low pressure plug	1/8" NPT
3	Oil charge plug	3/8" GAS
4	Oil level sight glass	
5	Crankcase heater seat	
6	Oil drain plug	1/4" GAS
7	Connection for liquid injection thermostatic valve	
9	Oil pressure switch connection (LP)	1/4" NPT
10	Oil pressure switch connection (HP)	1/4" SAE
11	Oil filter	3/8" GAS
12	Oil return plug	1/4" NPT
14	Discharge gas temperature sensor connection	
15	Oil electronic pressure switch	
19	1st - 2nd stage collector	
20	1st stage head	
21	2nd stage head	
22	Thermostatic valve equalization line plug	1/4" SAE
23	Mean pressure connection	1/8" NPT
SV	Suction valve	1-3/8" - 35 mm
DV	Discharge valve	1-1/8" - 29 mm
SC	Liquid sub-cooler	
LI	Sub-cooler liquid inlet	
LO	Sub-cooler liquid outlet	
NP	Nameplate	



Vibration absorber

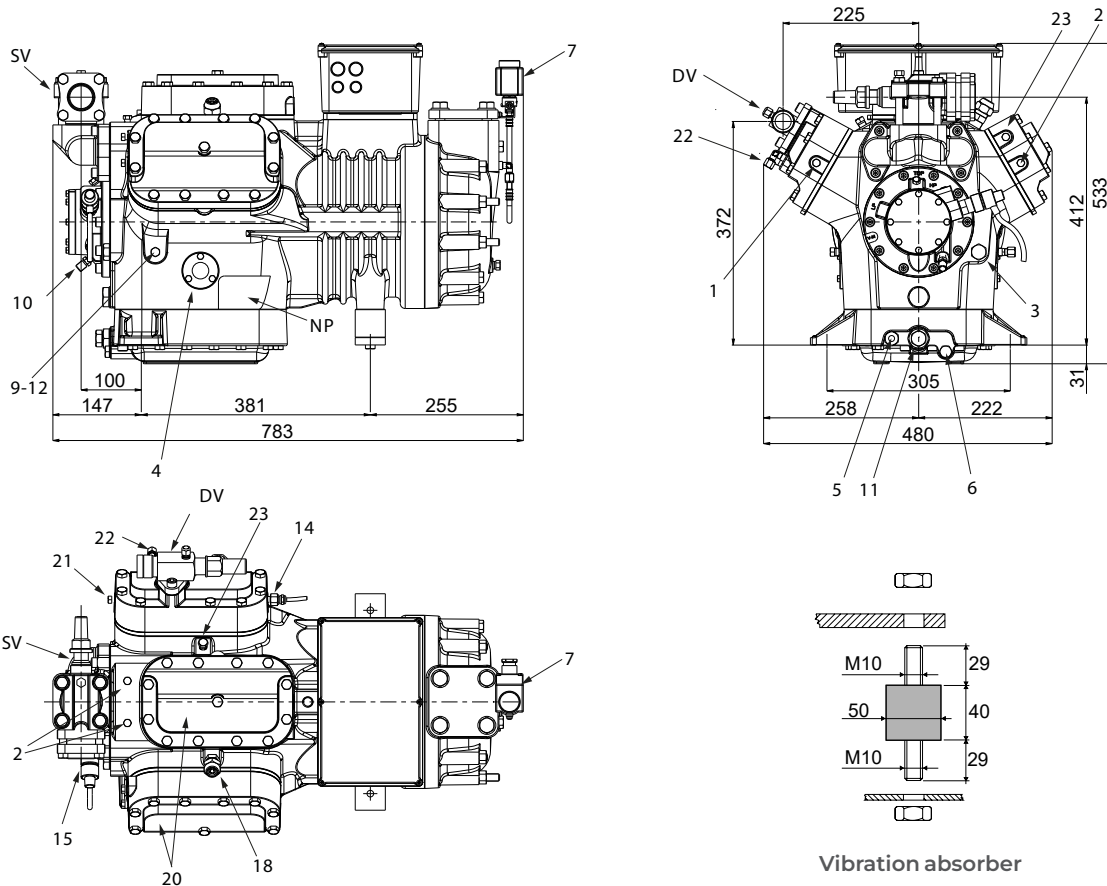
1	High pressure plug	1/8" NPT
2	Low pressure plug	1/8" NPT
3	Oil charge plug	3/8" GAS
4	Oil level sight glass	
5	Crankcase heater seat	
6	Oil drain plug	1/4" GAS
7	Connection for liquid injection thermostatic valve	
9	Oil low pressure plug	1/4" NPT
10	Oil high pressure plug	1/4" SAE
11	Oil filter	3/8" GAS
12	Oil return plug	1/4" NPT
14	Discharge gas temperature sensor connection	
15	Oil electronic pressure switch	
18	Liquid injection valve	
20	1st stage head	
21	2nd stage head	
22	Thermostatic valve equalization line plug	1/4" SAE
23	Mean pressure connection	1/8" NPT
SV	Suction valve	1-3/8" - 35 mm
DV	Discharge valve	1-1/8" - 29 mm
SC	Liquid sub-cooler	
LI	Sub-cooler liquid inlet	
LO	Sub-cooler liquid outlet	
NP	Nameplate	



Vibration absorber

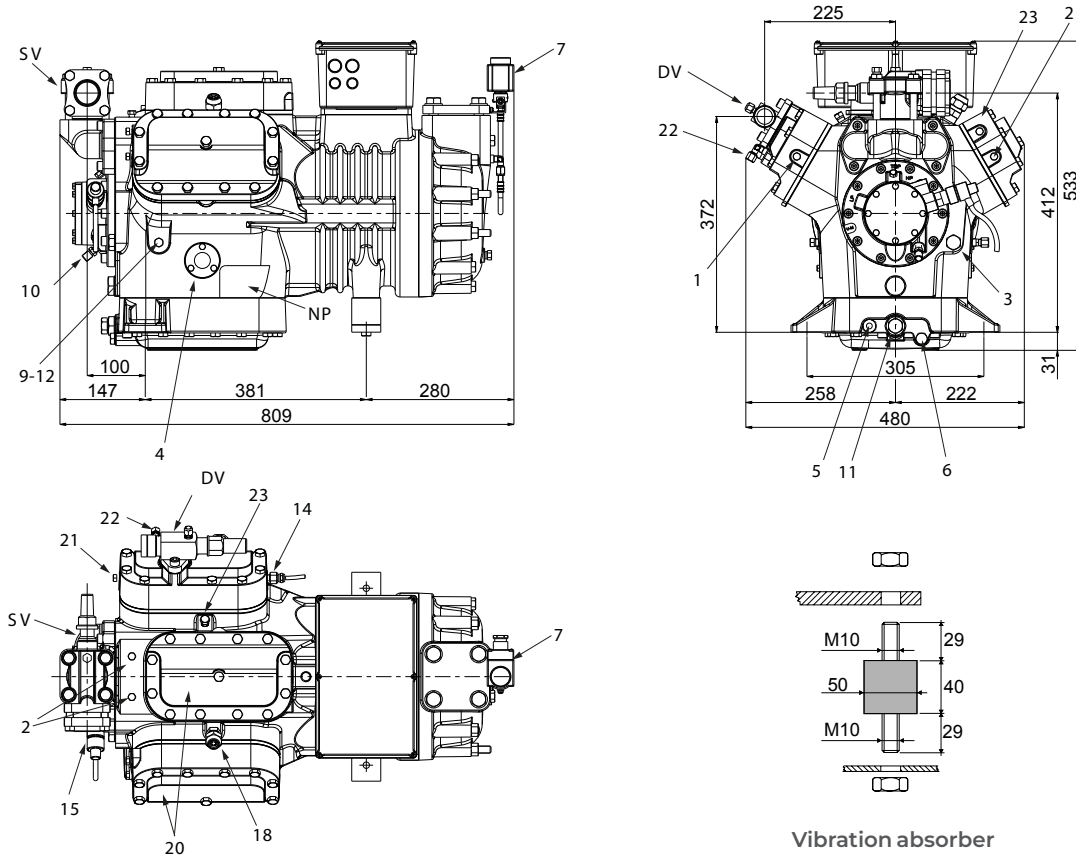
1	High pressure plug	1/8" NPT
2	Low pressure plug	1/8" NPT
3	Oil charge plug	3/8" GAS
4	Oil level sight glass	
5	Crankcase heater seat	
6	Oil drain plug	1/4" GAS
7	Connection for liquid injection thermostatic valve	
9	Oil low pressure plug	1/4" NPT
10	Oil high pressure plug	1/4" SAE
11	Oil filter	3/8" GAS
12	Oil return plug	1/4" NPT
14	Discharge gas temperature sensor connection	
15	Oil electronic pressure switch	
19	1st - 2nd stage collector	
20	1st stage head	
21	2nd stage head	
22	Thermostatic valve equalization line plug	1/4" SAE
23	Mean pressure connection	1/8" NPT
SV	Suction valve	1-5/8" - 42 mm
DV	Discharge valve	1-3/8" - 35 mm
SC	Liquid sub-cooler	
LI	Sub-cooler liquid inlet	
LO	Sub-cooler liquid outlet	
NP	Nameplate	

Models: 2Z15-60.30Y - 2Z20-72.36Y - 2Z25-84.42Y - 2Z30-102.51Y



1	High pressure plug	1/8" NPT
2	Low pressure plug	1/8" NPT
3	Oil charge plug	3/8" GAS
4	Oil level sight glass	
5	Crankcase heater seat	
6	Oil drain plug	1/4" GAS
7	Connection for liquid injection thermostatic valve	
9	Oil low pressure plug	1/4" NPT
10	Oil high pressure plug	1/4" SAE
11	Oil filter	3/8" GAS
12	Oil return plug	1/4" NPT
14	Discharge gas temperature sensor connection	
15	Oil electronic pressure switch	
18	Liquid injection valve	
20	1st stage head	
21	2nd stage head	
22	Thermostatic valve equalization line plug	1/4" SAE
23	Mean pressure connection	1/8" NPT
SV	Suction valve	1-5/8" - 42 mm
DV	Discharge valve	1-3/8" - 35 mm
NP	Nameplate	

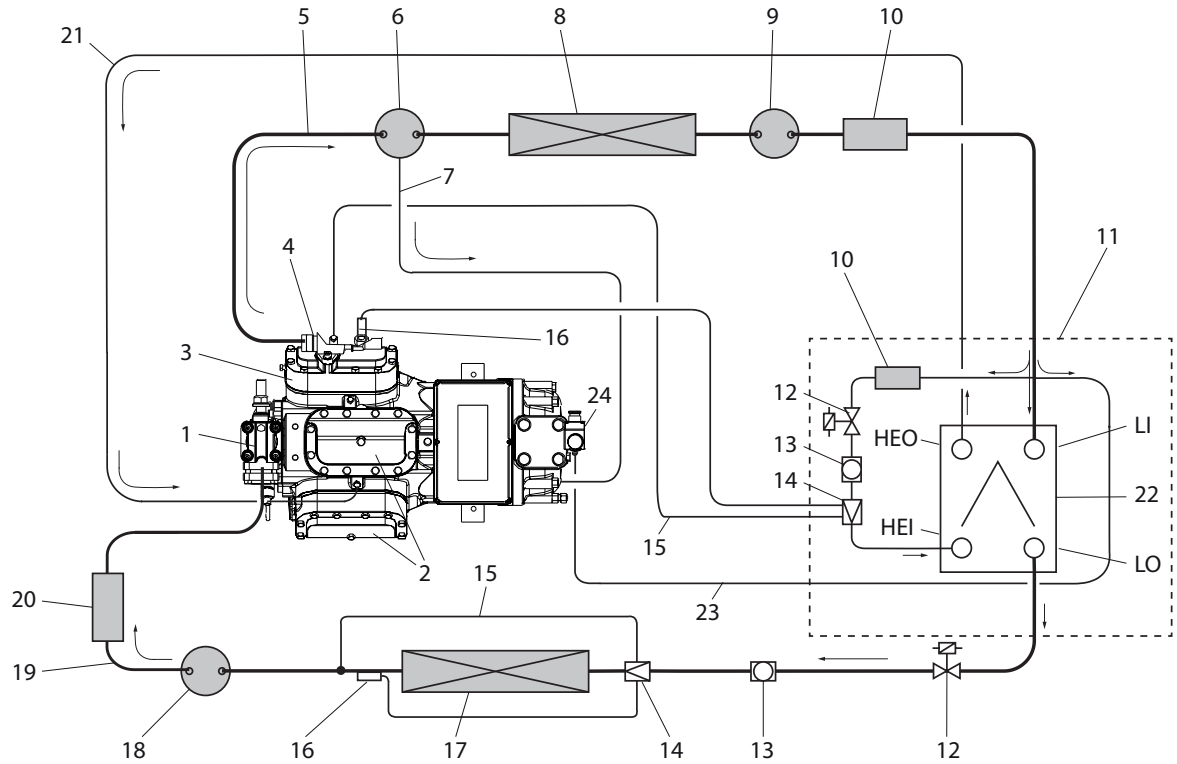
Models: 2Z35-112.56Y - 2Z40-123.62Y



Vibration absorber

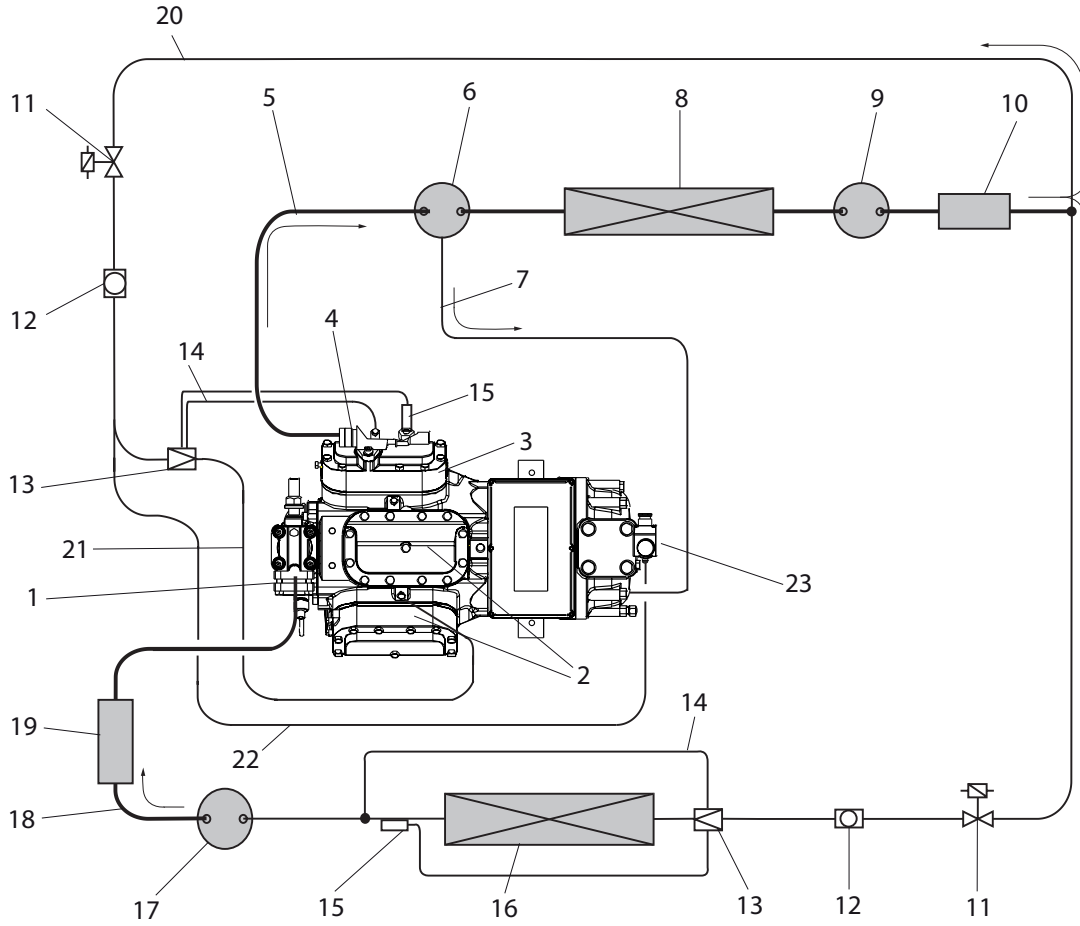
1	High pressure plug	1/8" NPT
2	Low pressure plug	1/8" NPT
3	Oil charge plug	3/8" GAS
4	Oil level sight glass	
5	Crankcase heater seat	
6	Oil drain plug	1/4" GAS
7	Connection for liquid injection thermostatic valve	
9	Oil low pressure plug	1/4" NPT
10	Oil high pressure plug	1/4" SAE
11	Oil filter	3/8" GAS
12	Oil return plug	1/4" NPT
14	Discharge gas temperature sensor connection	
15	Oil electronic pressure switch	
18	Liquid injection valve	
20	1st stage head	
21	2nd stage head	
22	Thermostatic valve equalizzation line plug	1/4" SAE
23	Mean pressure connection	1/8" NPT
SV	Suction valve 2Z15, 2Z20, 2Z25, 2Z35 & 2Z40 Models	1-5/8" - 42 mm
SV	Sution valve 2Z30, 2Z35 & 2Z40 Models	1-5/8" - 42 mm
DV	Discharge valve 2Z15, 2Z20, 2Z25 Models	1-3/8" - 35 mm
DV	Discharge valve 2Z30 Models	2-1/8" - 54 mm
NP	Nameplate	

Cooling system diagram with liquid Sub-cooling



1	Suction valve	21	Liquid injection line between 1st and 2nd stage
2	1st stage compressor head	22	Liquid sub-cooling exchanger
3	2nd stage compressor head	23	Motor cooling liquid injection line
4	Discharge valve	24	Motor cooling liquid injection valve
5	Discharge line	LI	Liquid inlet
6	Oil separator	LO	Liquid outlet
7	Compressor oil return line	HEI	Exchanger inlet
8	Condenser	HEO	Exchanger outlet
9	Liquid receiver		
10	Dehydrating filter		
11	Liquid sub-cooling kit		
12	Solenoid valve		
13	Liquid indicator		
14	Thermostatic expansion valve		
15	Thermostatic valve balance line		
16	Thermostatic expansion valve bulb		
17	Evaporator		
18	Liquid separator		
19	Suction line		
20	Suction filter		

Cooling system diagram without liquid Sub-cooling

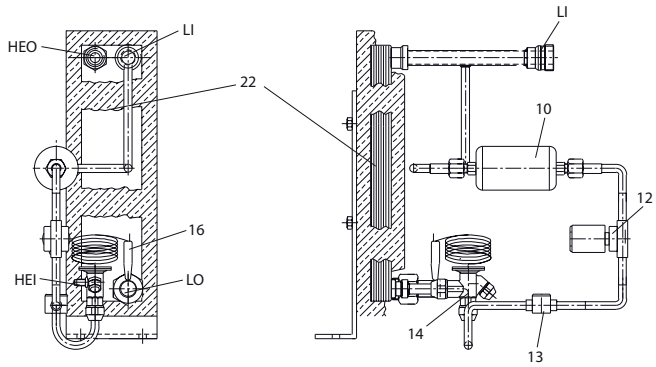


1	Suction valve
2	1st stage compressor head
3	2nd stage compressor head
4	Discharge valve
5	Discharge line
6	Oil separator
7	Compressor oil return line
8	Condenser
9	Liquid receiver
10	Dehydrating filter
11	Solenoid valve
12	Liquid indicator
13	Thermostatic expansion valve
14	Thermostatic valve balance line
15	Thermostatic expansion valve bulb
16	Evaporator
17	Liquid separator
18	Suction line
19	Suction filter
20	Injection liquid line

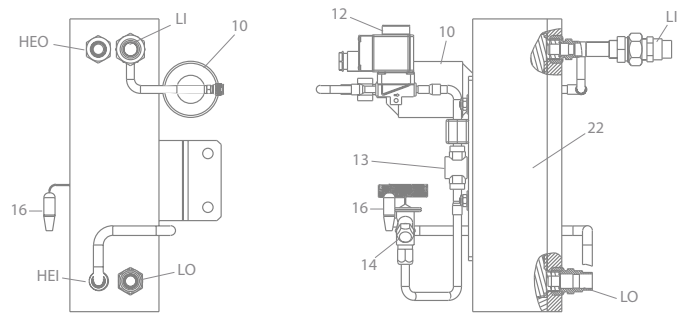
21	Liquid injection line between 1st and 2nd stage
22	Motor cooling liquid injection line
23	Motor cooling liquid injection line

Models	Code	Connections		
		LI Liquid Inlet	LO Liquid Outlet	HEO Exchanger Outlet
		[mm]	[mm]	
R404A - R507 Refrigerants				
SS-26.16Y	T00SK300210	18	18	3/8"
S7-27.19Y	T00SK300220	18	18	3/8"
2V10-42.29Y	T00SK300330	18	18	3/8"
2V15-56.32Y	T00SK300334	18	18	3/8"
2V20-62.35Y	T00SK300334	18	18	3/8"
2Z15-60.30Y	T00SK310325	18	18	5/8"
2Z20-72.36Y	T00SK310310	18	18	5/8"
2Z25-84.42Y	T00SK310310	18	18	5/8"
2Z30-102.51Y	T00SK310335	22	18	5/8"
2Z35-112.56Y	T00SK31040	22	18	5/8"
2Z40-123.62Y	T00SK31040	22	18	5/8"

S Size



2V - 2Z Sizes



10	Dehydrating filter
12	Solenoid Valve
13	Liquid indicator
14	Thermostatic expansion valve
16	Thermostatic expansion valve bulb
22	Liquid sub-cooling
HEI	Exchanger inlet
HEO	Exchanger outlet
LI	Liquid inlet
LO	Liquid outlet

CONTACT & SUBSIDIARIES



HEADQUARTER & PRODUCTION PLANT

FRASCOLD SPA - ITALY, MILAN

Via B. Melzi 105, 20027 Rescaldina (MI) Italy
Tel. +39 0331 742201 - Fax +39 0331 576102
frascold@frascold.it
www.frascold.it

COMMERCIAL OFFICE

FRASCOLD CHINA

Frascold Refrigeration Co. Ltd
Room 226, Block 3, 2nd floor, Enjoy Wise
Park, No. 909, Tianyaoqiao road,
Xuhui District, Shanghai - China
Ph. +86 021 58650180 / 58650192
frascold.china@frascold.net
www.frascold.net

FRASCOLD USA

5343 Bowden Road, Suite 2
Jacksonville, FL 32216 - USA
Ph. +1 (855) 547 5600 Office
info@frascoldusa.com
www.frascoldusa.com

FRASCOLD INDIA PVT LTD

Frascold India Pvt Ltd.
A1/2/14/15, Gallops Industrial Park,
NH-8A, Sarkhej-Bavla Road, Rajoda,
Ahmedabad 382220 Gujarat - India
Ph: +91 2717 685858
sales@frascoldindia.com
www.frascoldindia.com

FRASCOLD VIETNAM

Frascold Vietnam Co. Ltd
Unit 701, 7th floor, 5 Hoang Van Thai street,
Tan Phu Ward, 07 District,
Ho Chi Minh City - Vietnam
Ph: +84 028 54117375
frascold.china@frascold.net
www.frascold.net

DEDICATED PRODUCTIONS FOR LOCAL MARKETS

CHINA - FVR PRODUCTION PLANT

Frascold refrigeration equipment Co. Ltd
Block 10, Phase 3 of the Standard Building
in the General Free Trade Zone
no. 88 Weichuang road,
Taizhou city of Jiangsu province - China

INDIA - CDU ASSEMBLY PLANT

Frascold India Pvt Ltd.
A1/2/15/16 Gallops Industrial Park,
NH-8A, Sarkhej-Bavla Rd, Rajoda,
Ahmedabad 382220 Gujarat - India



We make
temperature